

Maths Mastery

Roman Calculations



Convert to Roman Numerals Practice

Convert these numbers to Roman Numerals.

XIV

XXVII

XLVI

LXXXVII

CXXXVIII

CCLXVII

DI

DCCLXII

MLVIII

Write five numbers, up to 4999, for a partner to convert.

Hide
Answers

Convert to Roman Numerals Practice

Convert these Roman Numerals to numbers.

3

19

44

72

98

270

888

1055

Write five roman numerals for a partner to convert

Hide
Answers

Years in Roman Numerals

Complete this table:

467BC	CDLXVII
802AD	DCCC
1066AD	MLXVI
1215AD	MCCXV
1665AD	MDCLXV
1987AD	MCMLXXXVII
2016AD	MMXVI

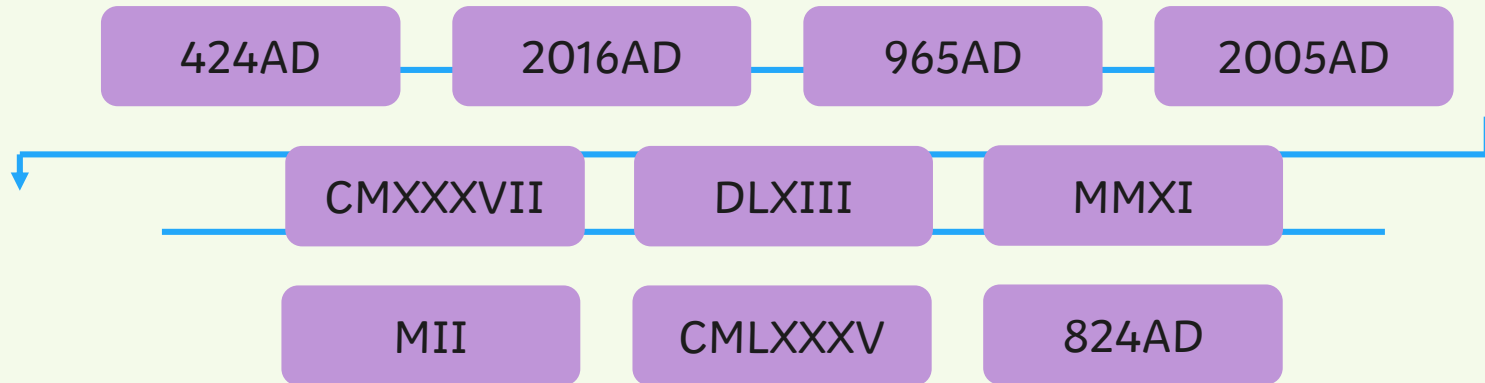
Write famous landmark years in history for a partner to convert.

Hide
Answers

Years in Roman Numerals

Draw a date line on your whiteboard.

Place these dates in order.



Can you place your birth year on the date line? Compare with a partner.

Show
Answers

Roman Addition

Calculate these without converting to numbers.

e.g. XXXVI + XXIII = XXXXXVIII = LIX

$$\text{LXXVI} + \text{XLIII} = \text{LXXXVIII} = \text{CXIX}$$

$$\text{CCIX} + \text{CLXXVI} = \text{CCCLXXXV}$$

$$\text{CCCLXXVII} + \text{CCXXIV} = \text{CCCCCLXXXVVI} = \text{DCI}$$

$$\text{DCCLXVIII} + \text{CCLXXXII} = \text{DCCCCLXXXVIII} = \text{ML}$$

$$\text{DCXXIX} + \text{DLXXXII} = \text{DDCLXXXXI} = \text{MCCXI}$$

$$\text{MCCLXXIV} + \text{DCCXXXII} = \text{MDCCCXXXVVI} = \text{MMVI}$$

Write some of your own roman numeral calculations for a partner.

Hide
Answers

Roman Subtraction

Calculate these without converting to numbers.

e.g. XXXVI - XXIII = XV - II = XIII

$$\cancel{LXXXVI} - \cancel{XLIII} = XXXIII$$

$$\cancel{CCIX} - \cancel{CLXXVII} = XXXIII$$

$$\cancel{CCCLXXVIII} - \cancel{CCXXIV} = CLIII$$

$$\cancel{DCCLXVIII} - \cancel{CCLXXXII} = CDLXXXVI$$

$$\cancel{DCXXIX} - \cancel{DLXXXIII} = XLVII$$

$$\cancel{MCCLXXIV} - \cancel{DCCXXXIII} = DXLII$$

Write some of your own roman numeral calculations for a partner.

Hide
Answers

Roman Multiplication

Calculate these without converting to numbers.

e.g. XXXVI × III = XXXXXXXXXXXVVVIII = CVIII

LXXVI × II = LL XXXXVV II = CLII

CCIX × IV = CCCCC CCC IIIIX XXX =DCCCXXXVI

CCCLXXVII × III = CCCCCCCCCLL LXXXXX XVV VIIII I = MCXXXI

DCCLXVIII × V = DD DD DCCCC CCCCC LL LL LXXXXX VV VV VIIII
IIIIIIII = MMMDCCCXL

DCXXIX × VI = DD DD DD CCCCC C XXXXXXXXXXXX XXXXX XX IIIIIX =
MMMDCCCLXXIV

MCCLXXIV × III = MMM CCCCC C LL LXXXXX X VV IIIV =
MMMDCCCXXII

Write some of your own for a partner.

Hide
Answers

